



# Ford OE Style<sup>®</sup> Fender Flares Set of 4

Set Part #20910

Rev-4 1/7/2016

For complete fitment info visit : [www.bushwacker.com](http://www.bushwacker.com)

## STEP 1 – PRIOR TO INSTALLATION

- A) Bushwacker only approves installing the flares according to these written instructions with the hardware provided. **WARNING:** Failure to install according to these instructions will invalidate the warranty. This includes, but is not limited to using alternative installation methods, hardware, or materials. **DO NOT USE:** Loctite, SuperGlue, or similar products on the hardware or the flares.
- B) **Fit:** Verify the fit of the flares to vehicle. (Some filing, sanding, or cutting may be necessary to ensure proper fit).
- C) **Painting:** (Optional) if paint is desired it must be done prior to installing flares on vehicle. Clean outer surface with a good grade degreaser. **DO NOT USE LACQUER THINNER OR ENAMEL REDUCER AS A DEGREASER.** Wipe outer surface thoroughly with a tack rag prior to paint. Application of plastic adhesion promoter for ABS plastic as per your paint system manufacturer's recommendations is required. Paint flares using a high quality enamel, or polyurethane automotive paint. If painting edge trim (not recommended), use a flex additive.
- D) **Performance:** Using larger Tires may increase the area required to turn the vehicle. Some Tire/Rim combinations may require lowering bump stops and or installing steering stops to prevent tire from contacting flare.
- E) **Exhaust System:** Modifications may be necessary to maintain a minimum 4" clearance between flares and exhaust pipes. (Exhaust gases should not vent directly onto flares)
- F) **Metal Protection:** All exposed fasteners and bare metal should be treated with rust resistant paint **BEFORE** installing flares. Spray inner fender wells with undercoating **AFTER** flare attachments have been completed.
- G) **Decals:** Flares may interfere with existing decals on vehicle. If you wish, remove decals prior to installation of flares.
- H) **Care & Cleaning:** Bushwacker fender flares are built to last; any detergent you use to wash your vehicle is sufficient to clean the flare. Do not use any harsh abrasive detergents.

## TOOLS FOR EASY INSTALLATION:

- Electric Drill
- #2 Phillips Driver Bit
- 3/16" Drill Bit
- 7/32" Socket
- Socket Wrench
- Tape Measure
- Utility Knife

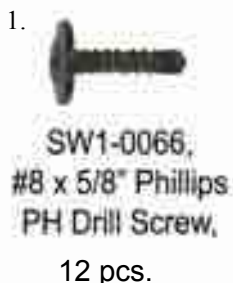
**PLEASE READ:** Dirt and debris can become lodged between the fender flares and the vehicle's fenders, causing scratching and paint wear from vibration. Lund International is not responsible for any damage, and the installation of our fender flares is done with the buyer's understanding that this scratching and paint wear may occur.

## LIMITED LIFETIME WARRANTY AGAINST ANY MANUFACTURING DEFECTS

To claim a warranty, you must provide Proof of Purchase.

---

## Included in Hardware Kit:



# FLARE INSTALLATION PROCEDURES

## Step 1: Verifying fit

- (A) Verify Fit by holding Bushwacker flares against the vehicle body. Small fit adjustments can be made by trimming excess plastic.
- (B) **DO NOT USE:** Loctite, SuperGlue, or similar products on the hardware or the flares.

## Step 2: Painting.

Note: Painting (when desired) must be done after fit verification, but prior to full installation.

- (A) Clean outer surface with a good grade degreaser. **DO NOT USE LACQUER THINNER OR ENAMEL REDUCER AS A DEGREASER.** Wipe outer surface thoroughly with a tack rag prior to painting.
- (B) Paint Flares using a high quality lacquer, enamel, or polyurethane automotive paint. Sanding or application of a primer coat is optional.

## Step 3: Edge Trim Installation

- (A) The 26' roll of edge trim that is included with each kit needs to be cut to the following lengths: two 67" pieces, and two 85" pieces.
- (B) Peel two to three inches of red vinyl backing away from the edge trim tape. Applying the adhesive side of the edge trim to the inner side of the flare, affix the edge trim to the top edge of the flare (the portion that comes in contact with the side of the vehicle).
- (C) Press edge trim into place along the top edge of the flare in one-foot increments, pulling red vinyl backing free as you continue to work your way around the top edge of the flare.  
**See Illustration #1.**

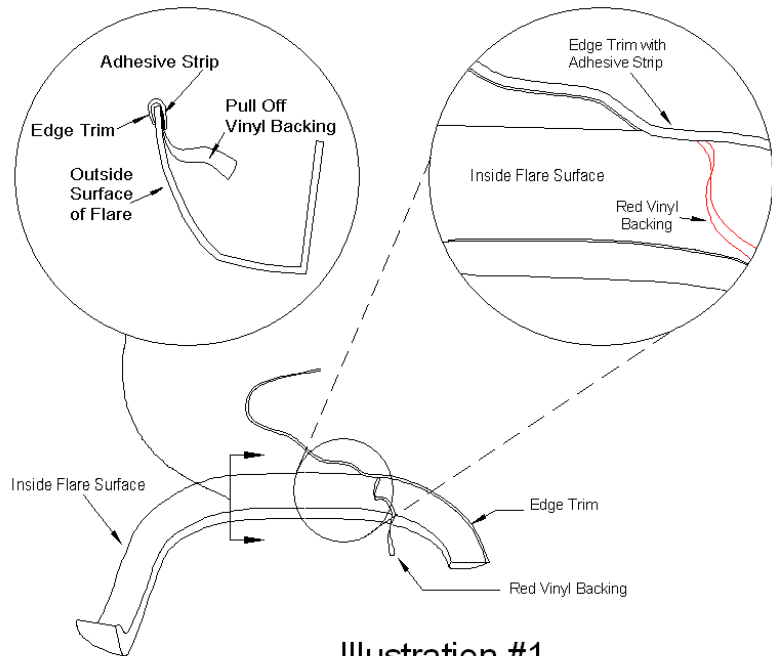


Illustration #1

## Step 4: Front Flare Installation

- (A) Pre-drill all flares with a 3/16" drill bit using the indents formed into the flare as a guide.
- (B) Remove the three factory screws from front wheel well using the 7/32" socket.
- (C) Holding front flare in place on fender, secure with factory screws through holes drilled in flare. **See FIGURE 2.**

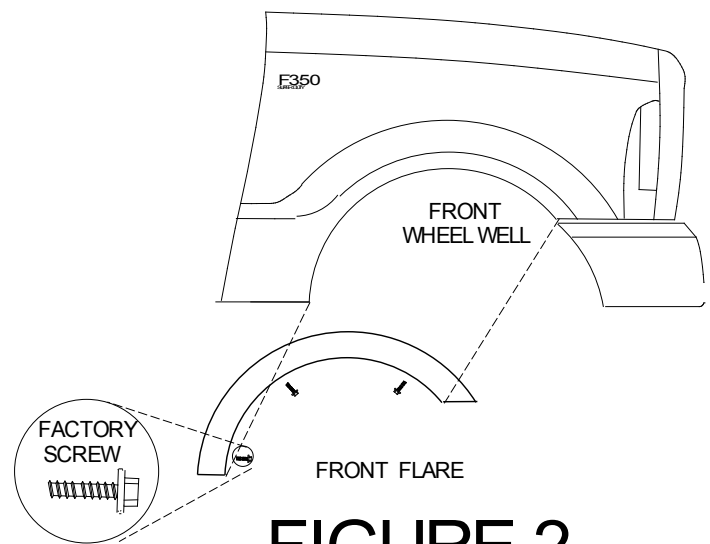


FIGURE 2

## Step 5: Rear Flare and Rocker Panel Installation

- (A) Removing factory rocker panel pieces
1. Remove the two screws at the inside lip of the wheel well using a 7/32" socket and a Phillips drill bit.
  2. Cut the four Christmas tree type fasteners at the lower inside edge of the sheet metal using a utility knife or snips.
  3. Squeeze and twist the four barbed clips from inside the sheet metal using pliers to release the part.
- (B) FOR PROPER INSTALLATION OF TAPE, the vehicle, the parts to be installed, and the tape should be between 60° and 110°F for proper adhesion.
- (C) Adhere a strip of double stick tape along the top and bottom edges of the Replacement Rocker Panel Piece. Apply 30 lbs. of pressure per inch of tape for proper bond.
- (D) Pre-drill all flares with a 3/16" drill bit using the indents formed into the flare as a guide. Applying moderate pressure to the outside surface of the rear flare, fasten with supplied drill tip screws using the indents in the flare as a guide. **See FIGURE 3.**

