



STEP 1 – PRIOR TO INSTALLATION

- A) Bushwacker only approves installing the flares according to these written instructions with the hardware provided. WARNING:** Failure to install according to these instructions will invalidate the warranty. This includes, but is not limited to using alternative installation methods, hardware, or materials. **DO NOT USE:** Loctite, SuperGlue, or similar products on the hardware or the flares.
- B) Fit:** Verify the fit of the flares to vehicle. (Some filing, sanding, or cutting may be necessary to ensure proper fit).
- C) Painting:** (Optional) if paint is desired it must be done prior to installing flares on vehicle. Clean outer surface with a good grade degreaser. **DO NOT USE LACQUER THINNER OR ENAMEL REDUCER AS A DEGREASER.** Wipe outer surface thoroughly with a tack rag prior to paint. Application of plastic adhesion promoter for ABS plastic as per your paint system manufacturer’s recommendations is required. Paint flares using a high quality enamel, or polyurethane automotive paint. If painting edge trim (not recommended), use a flex additive.
- D) Performance:** Using larger Tires may increase the area required to turn the vehicle. Some Tire/Rim combinations may require lowering bump stops and or installing steering stops to prevent tire from contacting flare.
- E) Exhaust System:** Modifications may be necessary to maintain a minimum 4” clearance between flares and exhaust pipes. (Exhaust gases should not vent directly onto flares)
- F) Metal Protection:** All exposed fasteners and bare metal should be treated with rust resistant paint **BEFORE** installing flares. Spray inner fender wells with undercoating **AFTER** flare attachments have been completed.
- G) Decals:** Flares may interfere with existing decals on vehicle. If you wish, remove decals prior to installation of flares.

Toyota Extend-A-Fender® Fender Flares Set of 4

Fits models that have had the running boards removed

Rear Part #31913-11

Rev-9 7/15/2014

For complete fitment info visit : www.bushwacker.com








TOOLS FOR EASY INSTALLATION:

- Electric Drill
- Duct Tape
- Jack & Jack Stands (optional)
- Pop Rivet Gun
- Grease Pencil
- 3/16”, 5/16” and 11/64” Drill Bit

LIMITED LIFETIME WARRANTY AGAINST ANY MANUFACTURING DEFECTS

- To claim a warranty, you must provide Proof of Purchase.

Included in Hardware Kit:

- | | | | | | | | | | | | | | |
|----|---|----|---|----|---|----|---|----|--|----|---|----|---|
| 1. |  | 2. |  | 3. |  | 4. |  | 5. |  | 6. |  | 7. |  |
| | GP1-0008,
Duro (NC02/S 70)
Edge Trim,
300 inches | | MB1-0008,
BKT SS 20GA
Mounting Bracket,
6 pcs | | RV1-A002,
Alum. Bulbex
Rivet,
16 pcs | | RV1-P001,
1/4” Black Nylon
Retainer,
6 pcs | | SW1-0066,
#8 x 5/8” Phillips
PH Drill Screw,
24 pcs | | SW1-0036,
M6-3 x 20mm Hex
Magni Black Screw,
12 pcs | | TAB-0001,
1” Square
Adhesive,
4 pcs |

Flare Installation Procedures:

STEP 2 - Edge Trim Installation:

- A) Remove factory installed edge trim when necessary.
- B) Peel two to three inches of red vinyl backing away from edge trim tape. Applying the adhesive side of the edge trim to the inner side of the flare, affix the edge trim to the top edge of the flare (the portion that comes in contact with the vehicle). **See Illustration #1**
- C) Press edge trim into place along the top edge of the flare in one-foot increments, pulling red vinyl backing free as you continue to work your way around the top edge of the flare



Illustration #1

STEP 3 - Preparing the Work Area:

- A) Support and remove wheel using jack and jack stands (optional).
- B) Remove and save screws securing mud flaps and factory fender trim.

STEP 4 - Flare Installation (Front):

- A) Remove and save top forward three screws securing the fender to the fender liner.
- B) Drill three 1/4" holes at the top most positions and four 5/16" holes at the lower positions marked by indentations on the inside of the flare.
- C) Attach three stainless steel brackets to the flare by aligning the 1/4" hole in the bracket with the 1/4" holes in flare and secure with a supplied plastic push retainer. Position flare on fender and loosely secure using screws removed in Step 3B and 4A, and two screws supplied with kit. **See Illustrations #2 & #3.** Ensure flare is properly aligned to the vehicle and fully tighten all screws.
- D) Remove protective paper backing from one side of a double-stick tab and press into position on the upper inside surface of the bumper cap. **See Illustration #2.**
- E) Remove the remaining protective paper from the double-stick tab and place the bumper cap in position on the bumper aligned with body flare.
- F) Drill three 9/64" holes for rivets with kit supplied drill bit at the points marked by indentations on the flare as indicated in **Illustration #2.**
- G) Secure bumper cap to bumper using two non-slotted aluminum rivets and one slotted aluminum rivet.

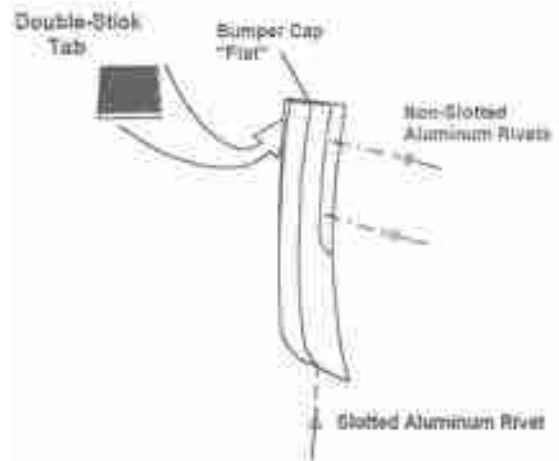


Illustration #2

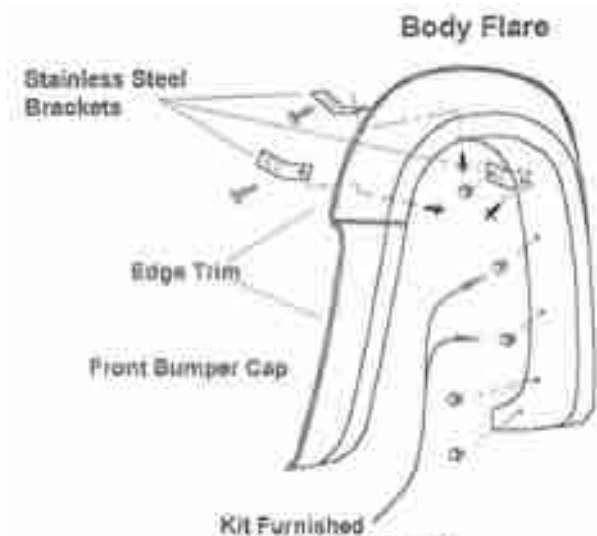


Illustration #3

STEP 5 - Flare Installation (Rear):

NOTE: There are four parts to each rear assembly: the inner and outer door parts, the center part, and the bumper cap.

A) Tape the matching inner door part inside the outer door part. Apply two double-stick tabs to the side of the inner door part, which lies against the door. **See Illustration #4.**

B) Tape center and bumper cap parts in position on fender and bumper. Press the combined inner and outer door parts in position on the door leaving a gap of approximately 1/8" between wheel well rim and flare to allow for proper door operation. Confirm part to part and part to door seam alignment. **See Illustration #4.**

C) Remove outer door and bumper cap parts only. Leave inner door and center parts in position.

D) While applying slight pressure to the outside of the center flare, install four supplied drill tip screws through the center flare and into the sheet metal at the points marked by indents along the inner flare flat which lies against the wheel well rim. **See Illustration #5.**

E) Drill three 5/16" holes at the indents along the inside flat of the bumper cap.

F) Remove protective paper backing from one side of a double-stick tab and press on top inside surface of the bumper cap flat near the edge.

G) Remove the remaining protective paper from the double-stick tab and place the bumper cap in position on the bumper. Secure cap using three original equipment screws removed in Step 3B.

H) Install a supplied drill tip screw through lower rear surface of the bumper cap and into the bumper.

I) Remove inner door part from door and remove double-stick tabs placed in Step 5B. Replace inner door part and install five supplied drill tip screws through the inner door part and into the door at positions marked by indents.

J) **See Illustration #6.**

Place outer door part over inner door part and drill five 11/64" holes at positions marked by indents. Secure outer to inner door part using five "slotted" aluminum rivets.

See Illustration #7.

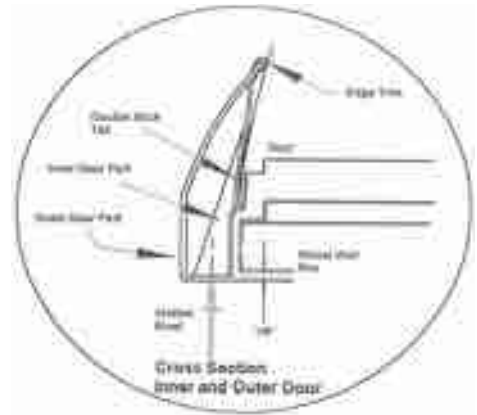


Illustration #4

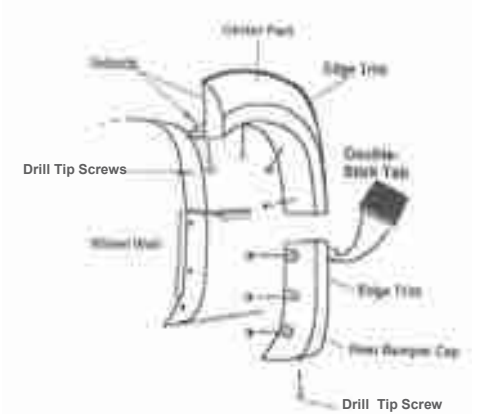


Illustration #5

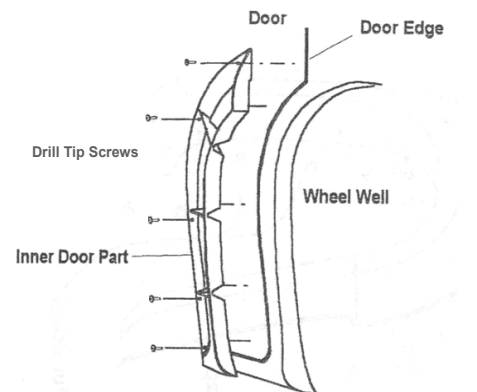


Illustration #6

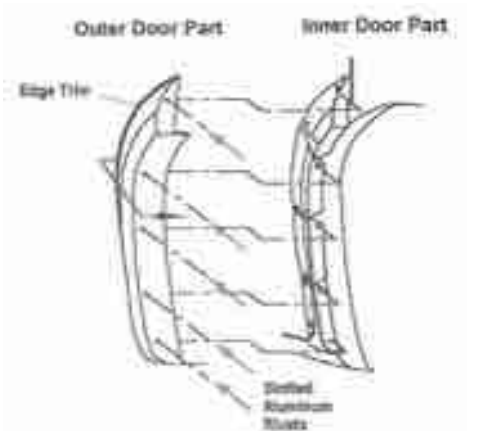


Illustration #7